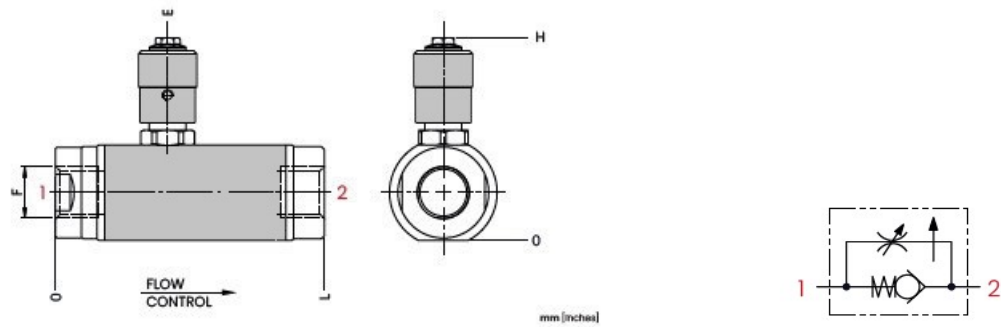


CFR

Valvola controllo flusso compensata regolabile
FLOW CONTROL VALVE-PRESSURE COMPENSATED



Codice Code	TYPE	F	MAX FLOW I/min	MAX PRESSURE BAR	PESO
05.CFR00.00002B	CFR2B	3/8 BSPP	30	250	1,10
05.CFR00.00003B	CFR3B	1/2 BSPP	45	250	1,76

F	L	H	E
3/8 BSPP	87,5 [3,44]	66 [2,60]	36,5 [1,44]
1/2 BSPP	109 [4,31]	73 [2,87]	46 [1,81]
Steel body			