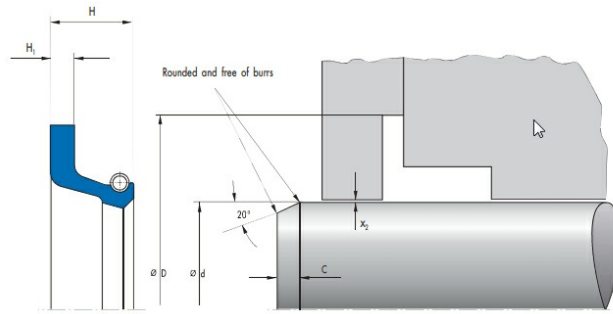


# H CON MOLLA

Stelo



Materiale	Velocita' m/s:	Temperatura ??C:	Pressione Mpa:
Nbr/metallo	0,5	-30 +100	1
Viton/inox	0,5	-30 +200	1

Codice	Descrizione	d	D	Spessore	Materiale	Peso
<a href="#">01.H2514.025038VIT</a>	VIT-H25-14 D.025x038x6,5/2 C/MOLLA-	25.00	38.00	6.50	Viton	10.00
<a href="#">01.H0000.038048</a>	H-MV 38 NBR D.038x048x9,6 MOLLA SS 304	38.00	48.00	9.60	Nbr	0.00
<a href="#">01.H0000.045065</a>	H-MV 45-3 NBR D.045x065x8,5/2,5 MOLLA SS 304	45.00	65.00	2.50	Nbr	10.00
<a href="#">01.H0000.050090</a>	H-MV 50 NBR D.050x090x12/3 MOLLA SS 304	50.00	90.00	3.00	Nbr	10.00
<a href="#">01.H0000.055075</a>	H-MV 55 NBR D.055x75x5,5 SS304 SPRING	55.00	75.00	5.50	Nbr	10.00
<a href="#">01.H0000.060090</a>	H-MV 60-7 NBR D.060x090x12/3 MOLLA SS 304	60.00	90.00	3.00	Nbr	10.00
<a href="#">01.H0000.060085</a>	H-MV 60-4 NBR D.060x085x12/3 MOLLA SS 304	60.00	85.00	3.00	Nbr	10.00
<a href="#">01.H0000.070098</a>	H-MV 70-3 NBR D.070x098x12/3 MOLLA SS 304	70.00	98.00	3.00	Nbr	10.00
<a href="#">01.H0000.070110</a>	H-MV 70-4 NBR D.070x110x13/3 MOLLA SS 304	70.00	110.00	3.00	Nbr	10.00
<a href="#">01.H0000.080120</a>	H 80-2 D.080x120x15/3 NBR WITH SPRING	80.00	120.00	15.00	Nbr	10.00
<a href="#">01.H0000.090120</a>	H 90 D.090x120x13,5/3,5 NBR WITH SPRING	90.00	120.00	13.50	Nbr	10.00
<a href="#">01.H0000.280330</a>	H-MV 280-1 NBR D.280x330x12/3 SS304 SPRING	280.00	330.00	12.00	Nbr	10.00